



sealing cap for selector switch, short, 30 mm, clear

| | |
|--------------------------|----------------------|
| product brand name | SIRIUS ACT |
| product designation | Sealable cap |
| design of the product | for selectors, short |
| product type designation | 3SU1 |

General technical data

| | |
|----------------------------------|-------------------------|
| protection class IP | IP66, IP67, IP69(IP69K) |
| degree of protection NEMA rating | 1, 2, 3, 3R, 4, 4X, 12 |
| Substance Prohibitance (Date) | 10/01/2014 |
| Net Weight | 15 g |

Ambient conditions

| | |
|---------------------|----------------|
| ambient temperature | -40 ... +80 °C |
| • during storage | |

Installation/ mounting/ dimensions

| | |
|--------|---------|
| height | 39.2 mm |
| width | 32.5 mm |
| depth | 22 mm |

Accessories

| | |
|-----------------------|-----------|
| material of accessory | Plastic |
| color of accessory | sand gray |

Approvals Certificates

| Environment | General Product Approval | Test Certificates |
|-------------|--------------------------|-------------------|
|-------------|--------------------------|-------------------|

[Environmental Confirmations](#)



[Type Test Certificates/Test Report](#)

| Maritime application | other |
|----------------------|-------|
|----------------------|-------|



[Confirmation](#)



Further information

Information on the packaging
<https://support.industry.siemens.com/cs/ww/en/view/109813875>
 Information for data generation and storage
<https://support.industry.siemens.com/cs/ww/en/view/109995012>
 Information- and Downloadcenter (Catalogs, Brochures,...)

<https://www.siemens.com/ic10>

Industry Mall (Online ordering system)

<https://mall.industry.siemens.com/mall/en/en/Catalog/product?mlfb=3SU1960-0EY70-0AA0>

Cax online generator

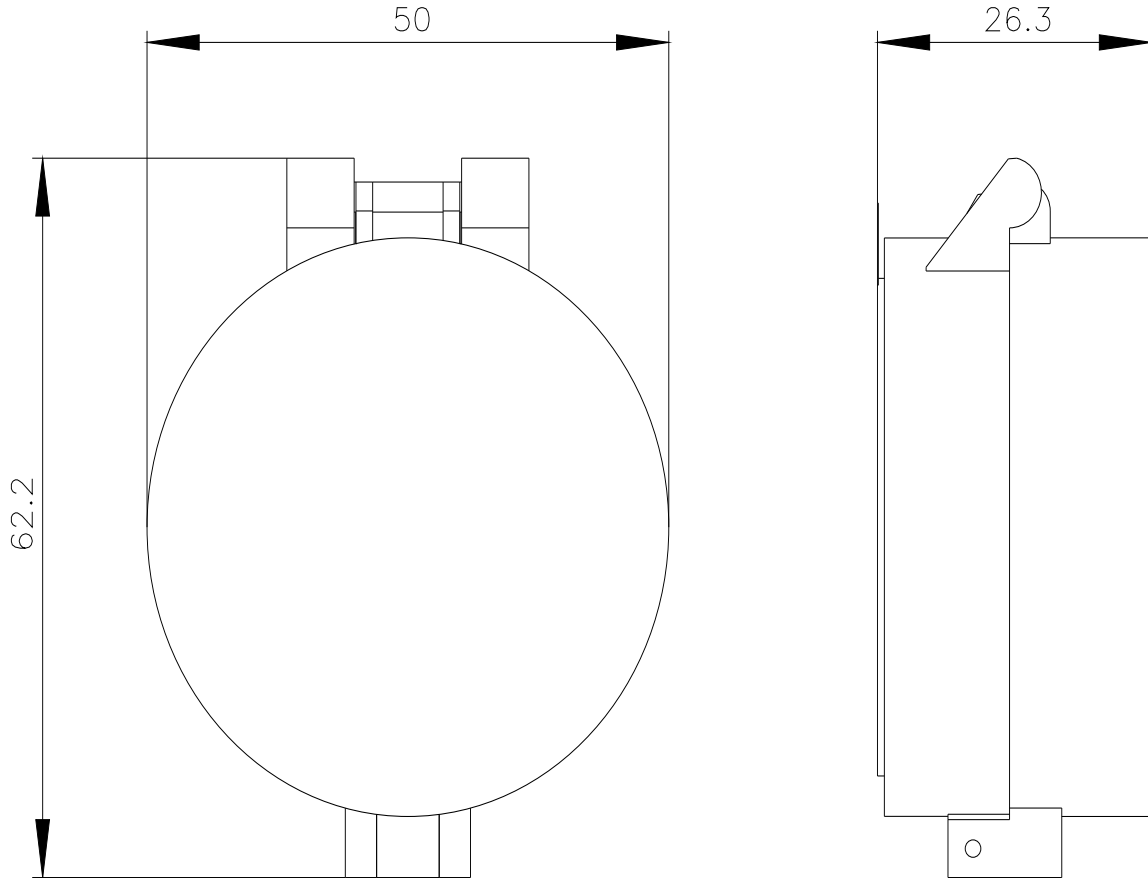
<https://support.automation.siemens.com/WW/CAXorder/default.aspx?lang=en&mlfb=3SU1960-0EY70-0AA0>

Service&Support (Manuals, Certificates, Characteristics, FAQs,...)

<https://support.industry.siemens.com/cs/ww/en/ps/3SU1960-0EY70-0AA0>

Image database (product images, 2D dimension drawings, 3D models, device circuit diagrams, EPLAN macros, ...)

https://www.automation.siemens.com/bilddb/cax_de.aspx?mlfb=3SU1960-0EY70-0AA0&lang=en



last modified:

5/8/2025 